



US00D635705S

(12) **United States Design Patent**  
**Kim**

(10) **Patent No.:** **US D635,705 S**

(45) **Date of Patent:** **\*\* \*Apr. 5, 2011**

(54) **BODY PORTION OF A FLASHLIGHT**

(75) Inventor: **Paul Y. Kim**, Santa Ana, CA (US)

(73) Assignee: **SureFire, LLC**, Fountain Valley, CA (US)

(\* ) Notice: This patent is subject to a terminal disclaimer.

(\*\*) Term: **14 Years**

(21) Appl. No.: **29/353,890**

(22) Filed: **Jan. 15, 2010**

(51) **LOC (9) Cl.** ..... **26-02**

(52) **U.S. Cl.** ..... **D26/49**

(58) **Field of Classification Search** ..... D26/37,  
D26/38, 39, 40, 41, 42, 46, 48, 49; 362/103,  
362/104, 105, 106, 108, 157, 158, 174, 183,  
362/184, 190, 191, 200–208, 253

See application file for complete search history.

(56) **References Cited**

U.S. PATENT DOCUMENTS

6,761,467 B2 \* 7/2004 Matthews et al. .... 362/202  
D531,747 S \* 11/2006 Brown ..... D26/49  
D534,672 S \* 1/2007 Kim ..... D26/49

D537,970 S \* 3/2007 Shiu ..... D26/49  
D537,971 S \* 3/2007 Shiu ..... D26/49  
D546,491 S \* 7/2007 Shiu ..... D26/49  
D554,787 S \* 11/2007 Shiu ..... D26/49  
D560,297 S \* 1/2008 Brown et al. .... D26/37

\* cited by examiner

*Primary Examiner* — Ian Simmons

*Assistant Examiner* — Carissa C Fitts

(74) *Attorney, Agent, or Firm* — Haynes and Boone, LLP

(57) **CLAIM**

The ornamental design for a body portion of a flashlight, as shown and described.

**DESCRIPTION**

FIG. 1 is a front perspective view of a body portion of a flashlight showing my new design;

FIG. 2 is a rear perspective view thereof;

FIG. 3 is a top plan view thereof;

FIG. 4 is a bottom plan view thereof;

FIG. 5 is a left side elevational view thereof;

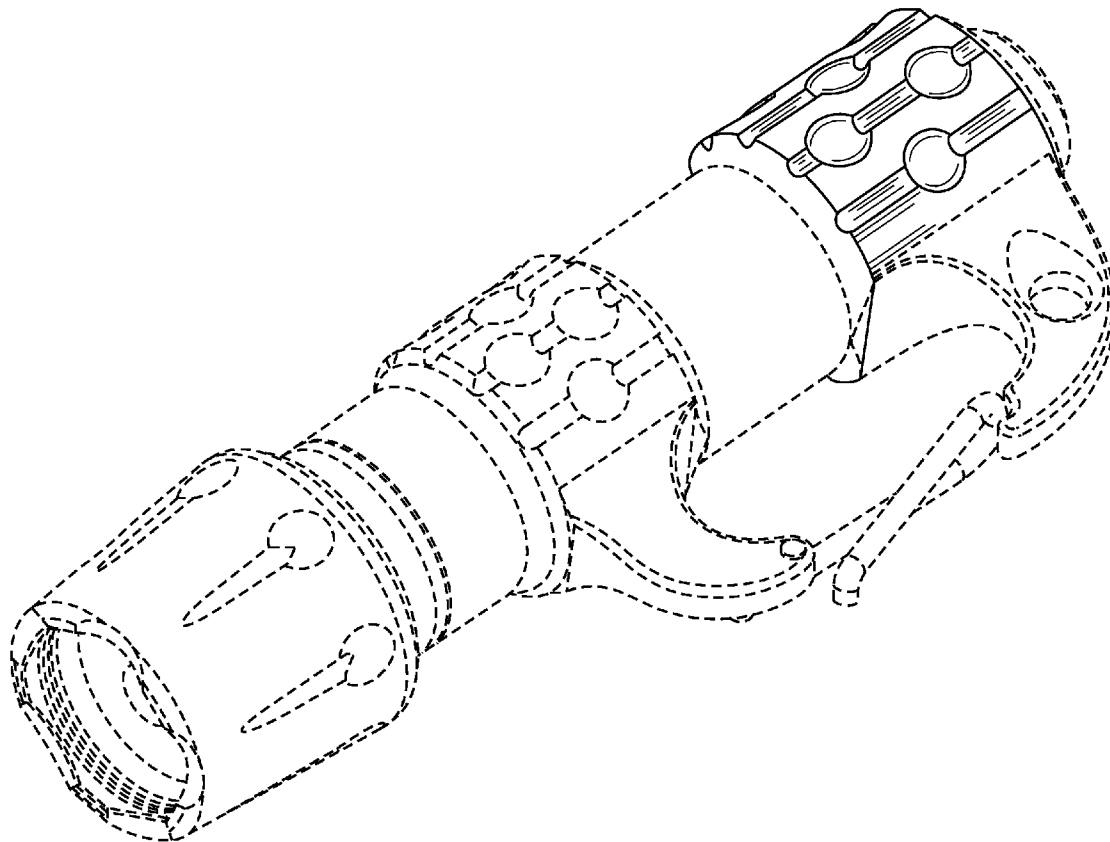
FIG. 6 is a right side elevational view thereof;

FIG. 7 is a front side elevational view thereof; and,

FIG. 8 is a rear side elevational view thereof.

The dashed lines in FIGS. 1-8 are shown for illustrative purposes and form no part of the claimed design.

**1 Claim, 7 Drawing Sheets**



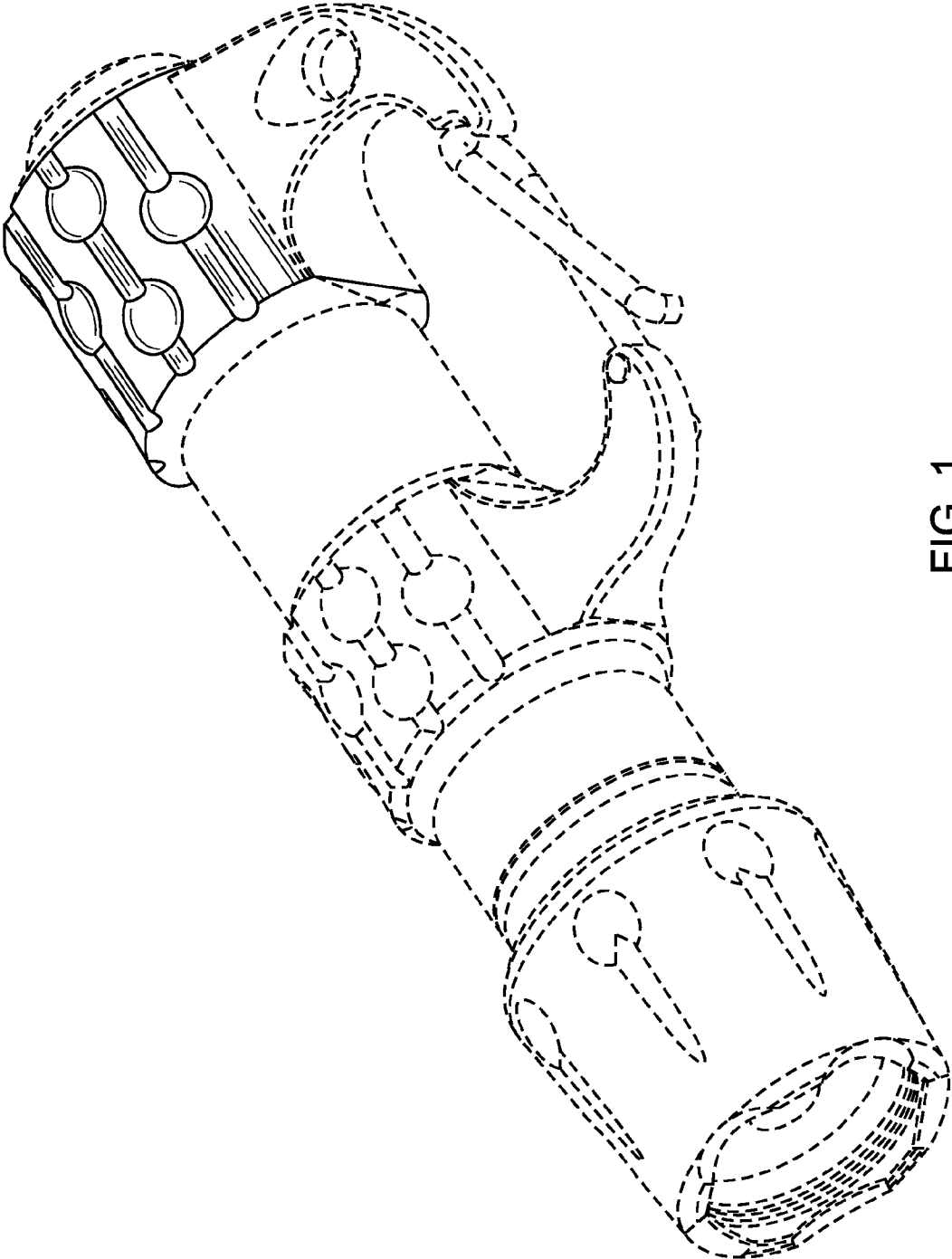


FIG. 1

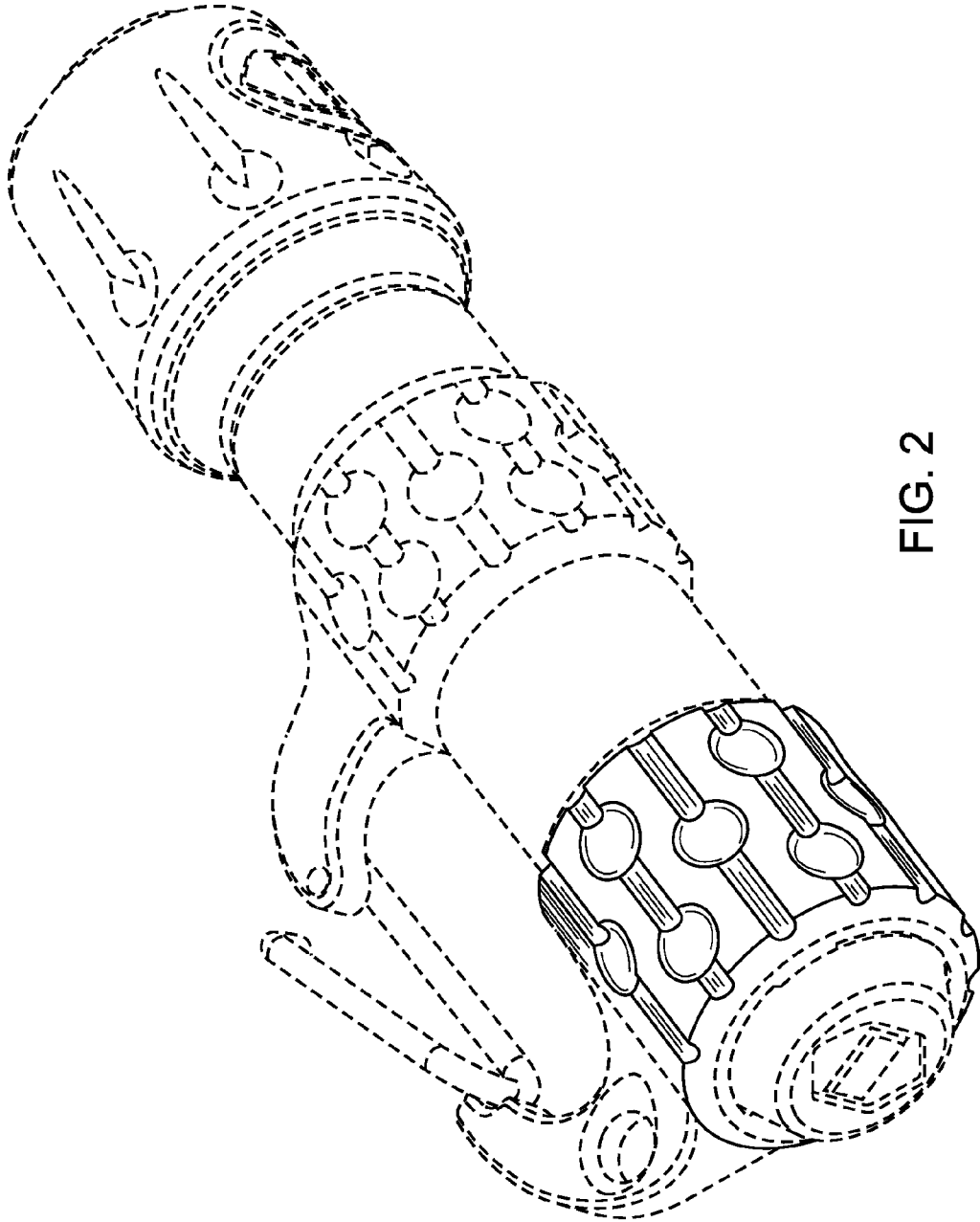


FIG. 2

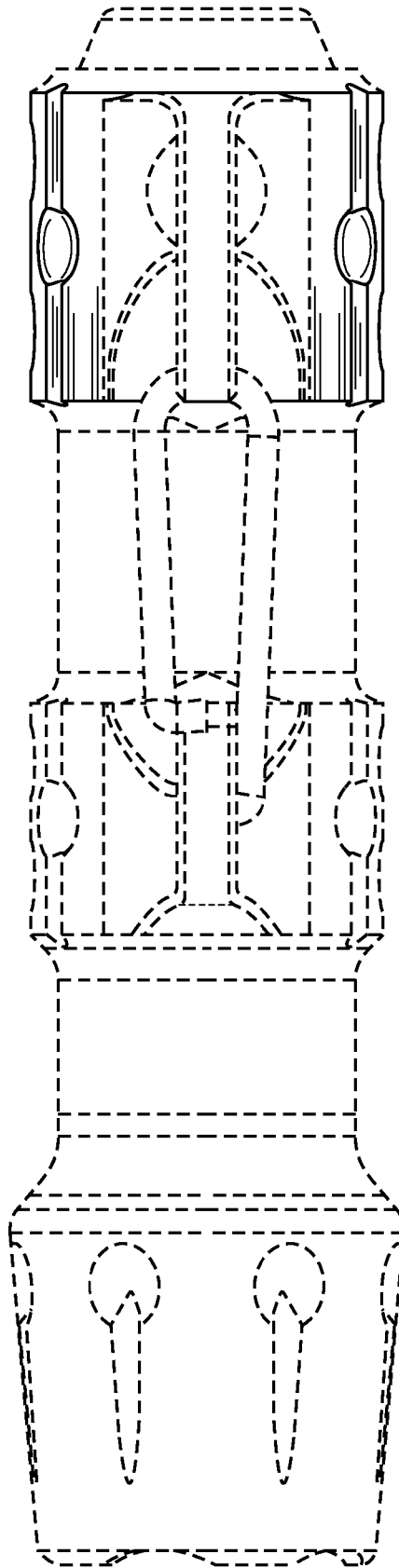


FIG. 3

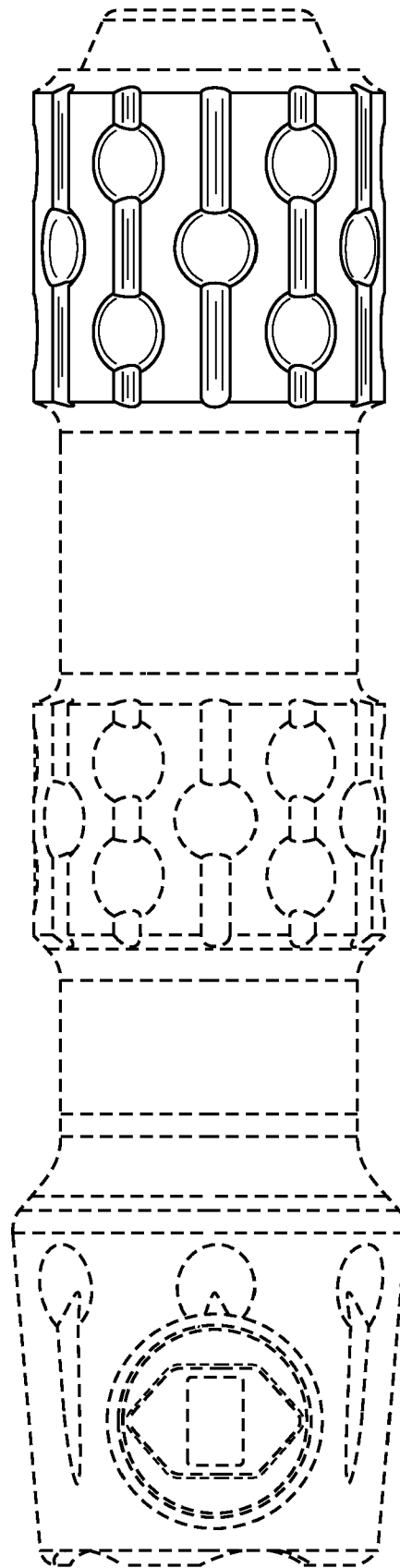


FIG. 4

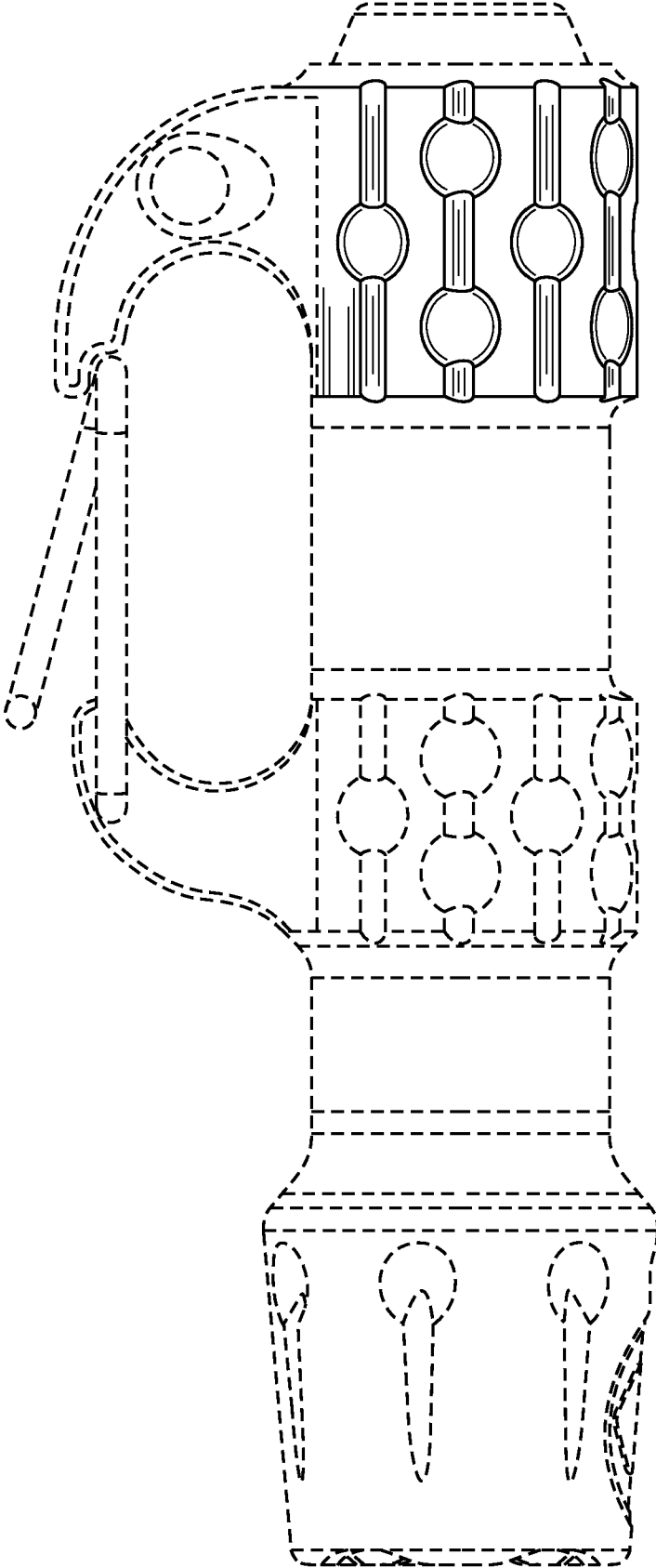


FIG. 5

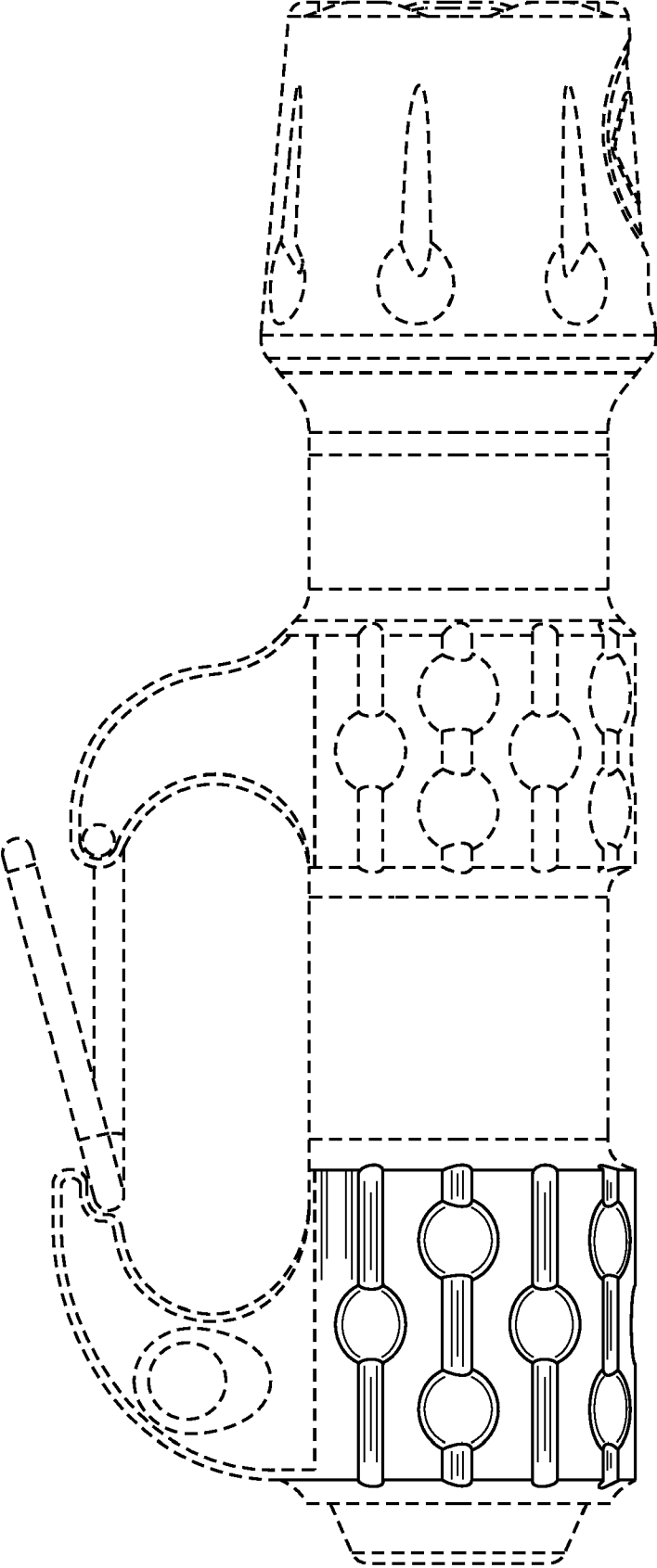


FIG. 6

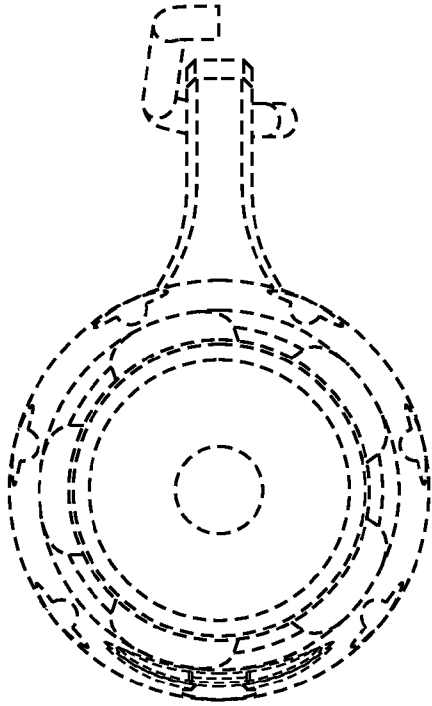


FIG. 7

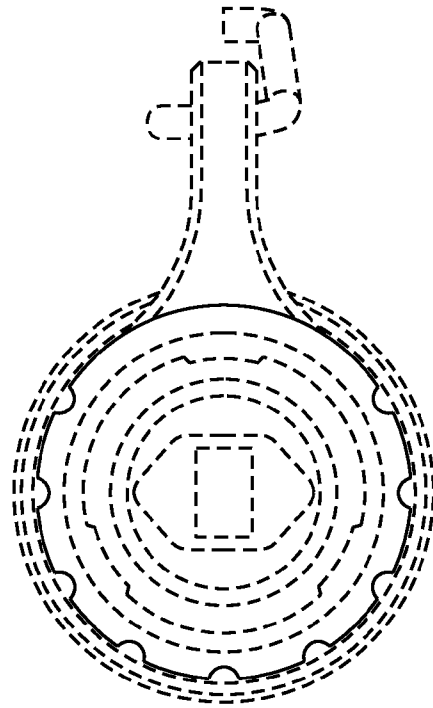


FIG. 8