



US00D624223S

(12) **United States Design Patent**  
**Kim**

(10) **Patent No.:** **US D624,223 S**

(45) **Date of Patent:** **\*\* Sep. 21, 2010**

(54) **FLASHLIGHT HEAD HAVING A RECESSED PORTION**

TW 552065 9/2003  
TW 585721 4/2004  
TW 589103 5/2004

(75) Inventor: **Paul Y. Kim**, Santa Ana, CA (US)

(73) Assignee: **SureFire, LLC**, Fountain Valley, CA (US)

(\*\*) Term: **14 Years**

(21) Appl. No.: **29/335,192**

(22) Filed: **Apr. 9, 2009**

(51) **LOC (9) Cl.** ..... **26-02**

(52) **U.S. Cl.** ..... **D26/49**

(58) **Field of Classification Search** ..... D26/37,  
D26/46, 38, 48, 49, 50; 362/157, 158, 183,  
362/184, 192, 194–208

See application file for complete search history.

(56) **References Cited**

**U.S. PATENT DOCUMENTS**

|              |         |                 |        |
|--------------|---------|-----------------|--------|
| D443,091 S   | 5/2001  | van Klinken     |        |
| D455,513 S   | 4/2002  | Galli           |        |
| 6,536,917 B1 | 3/2003  | Aperocho et al. |        |
| D473,961 S   | 4/2003  | Galli           |        |
| D475,798 S   | 6/2003  | Galli           |        |
| D476,103 S   | 6/2003  | Galli           |        |
| D491,301 S * | 6/2004  | Chen            | D26/37 |
| 6,793,366 B2 | 9/2004  | Chun            |        |
| D501,054 S   | 1/2005  | Galli           |        |
| D526,730 S   | 8/2006  | Galli           |        |
| 7,163,314 B2 | 1/2007  | Sharrah         |        |
| D537,965 S * | 3/2007  | Lee             | D26/37 |
| D560,294 S * | 1/2008  | Parsons et al.  | D26/37 |
| D565,220 S   | 3/2008  | Galli           |        |
| 7,387,402 B1 | 6/2008  | Lui (Phillip)   |        |
| D577,843 S   | 9/2008  | Couture et al.  |        |
| D578,687 S * | 10/2008 | Hong            | D26/37 |
| D578,690 S * | 10/2008 | Kim             | D26/37 |
| D605,798 S * | 12/2009 | Kim             | D26/49 |
| D605,799 S * | 12/2009 | Kim             | D26/49 |

**FOREIGN PATENT DOCUMENTS**

TW 552064 9/2003

**OTHER PUBLICATIONS**

U.S. Appl. No. 29/323,348, Paul Y. Kim.  
U.S. Appl. No. 29/323,350, Paul Y. Kim.  
U.S. Appl. No. 29/323,351, Paul Y. Kim.  
U.S. Appl. No. 29/323,353, Paul Y. Kim.  
U.S. Appl. No. 29/335,191, Paul Y. Kim.  
U.S. Appl. No. 29/335,188, Paul Y. Kim.  
U.S. Appl. NO. 29/325,328, Paul Y. Kim.  
U.S. Appl. No. 12/240,778, Paul Y. Kim.

\* cited by examiner

*Primary Examiner*—Ian Simmons  
*Assistant Examiner*—Carissa C Fitts

(74) *Attorney, Agent, or Firm*—Haynes and Boone, LLP

(57) **CLAIM**

The ornamental design for a flashlight head having a recessed portion, as shown and described.

**DESCRIPTION**

FIG. 1 is a front perspective view of a flashlight head having a recessed portion showing my new design;

FIG. 2 is a rear perspective view thereof;

FIG. 3 is a top plan view thereof;

FIG. 4 is a bottom plan view thereof;

FIG. 5 is a left side elevational view thereof;

FIG. 6 is a right side elevational view thereof;

FIG. 7 is a front side elevational view thereof;

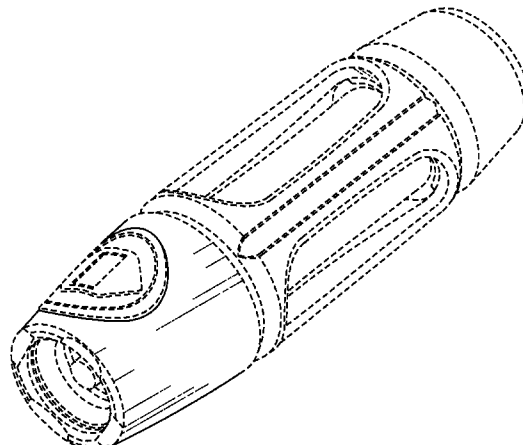
FIG. 8 is a rear side elevational view thereof;

FIG. 9 is a cross-sectional view thereof taken between lines 9—9 of FIG. 5; and,

FIG. 10 is a cross-sectional view thereof taken at line 10—10 of FIG. 8.

The dashed lines in FIGS. 1-10 are shown for illustrative purposes and form no part of the claimed design.

**1 Claim, 8 Drawing Sheets**



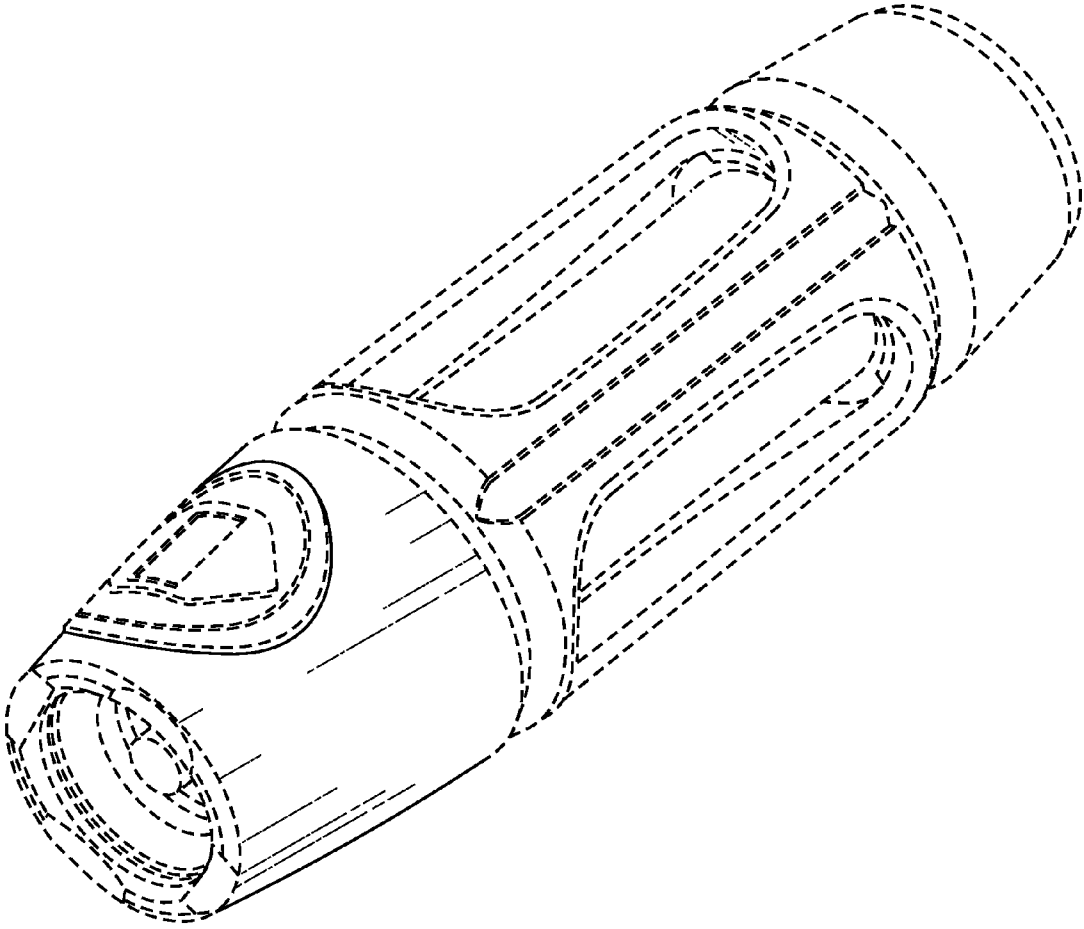


FIG. 1

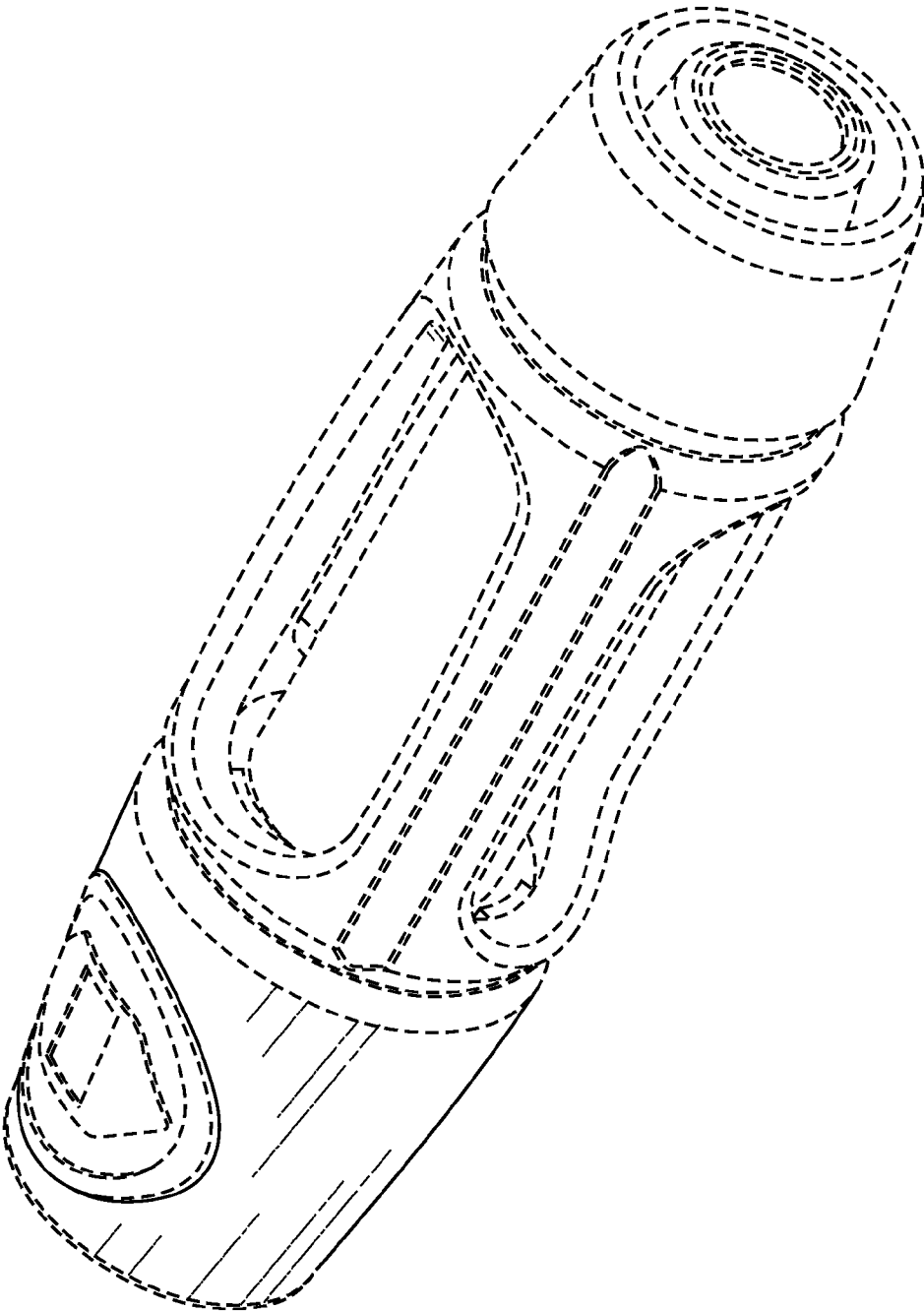


FIG. 2

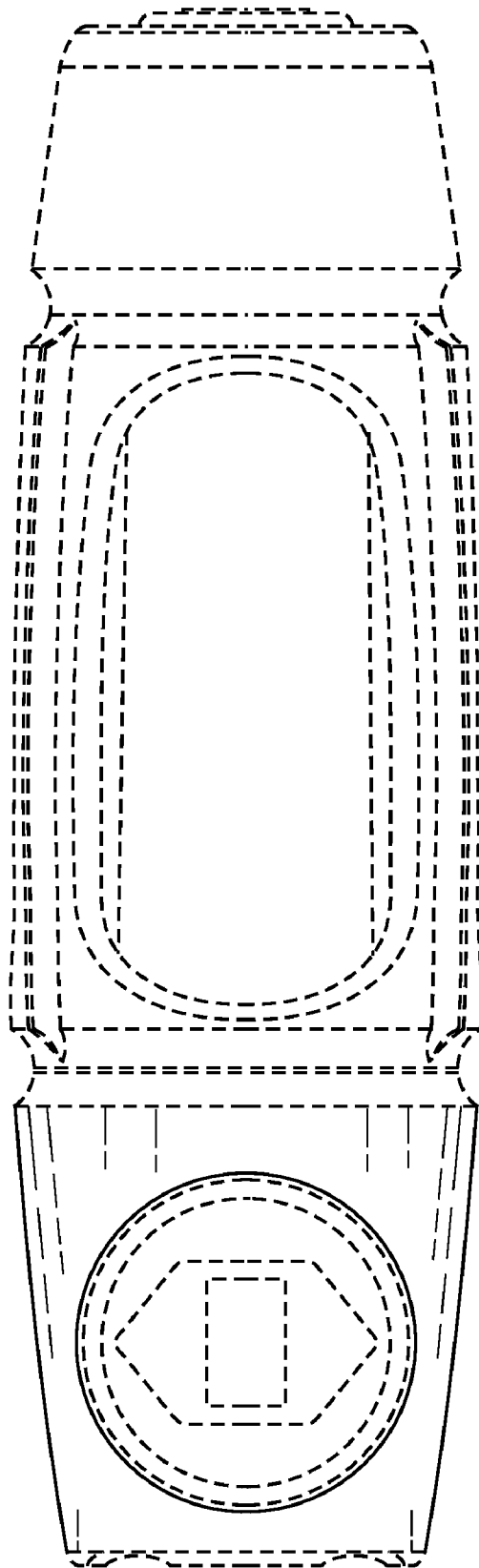


FIG. 3

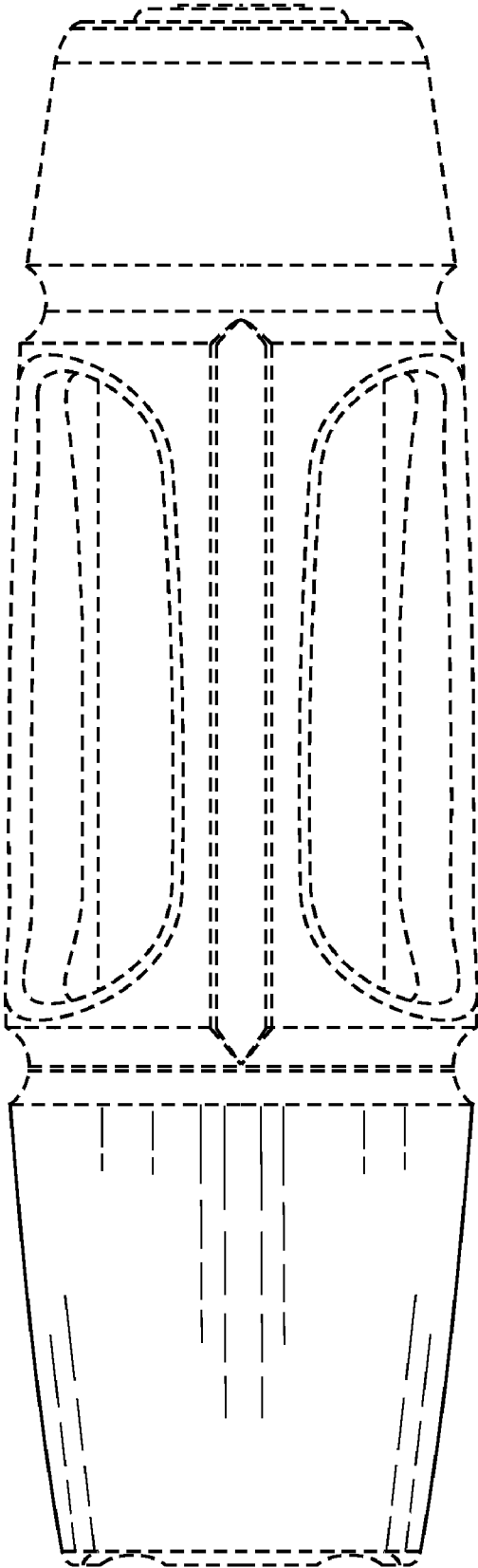


FIG. 4

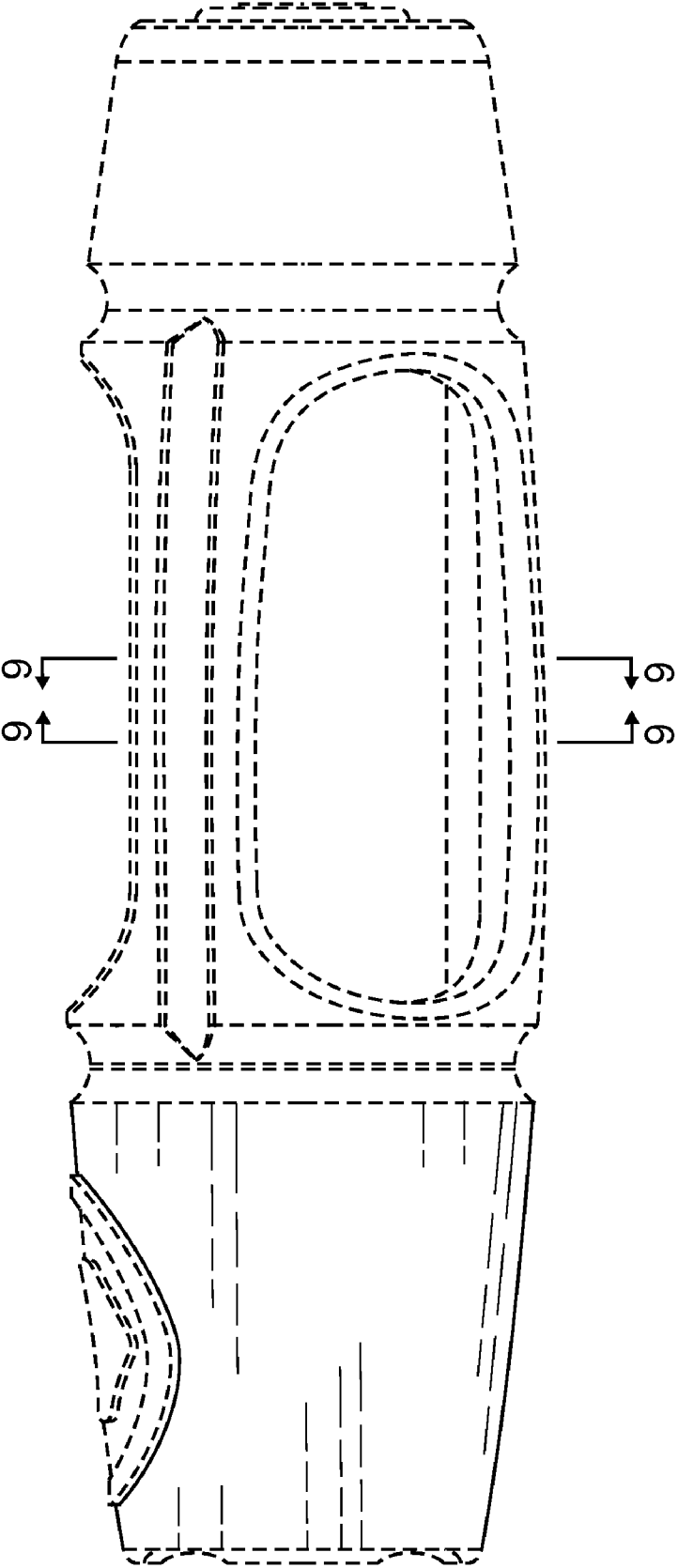


FIG. 5

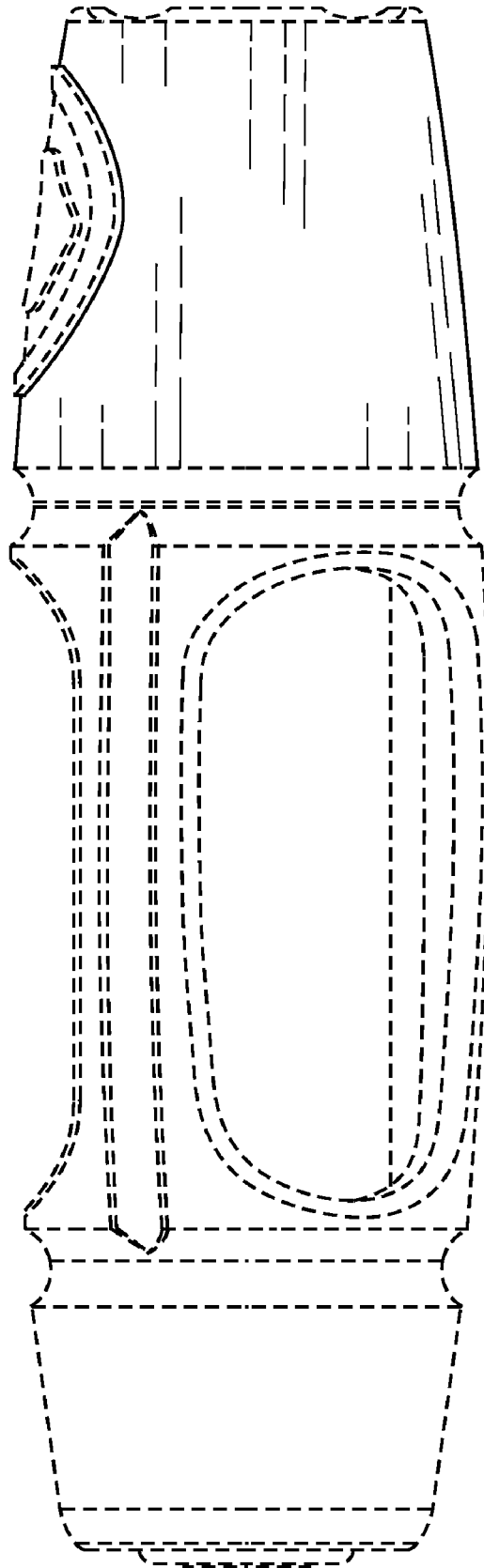


FIG. 6

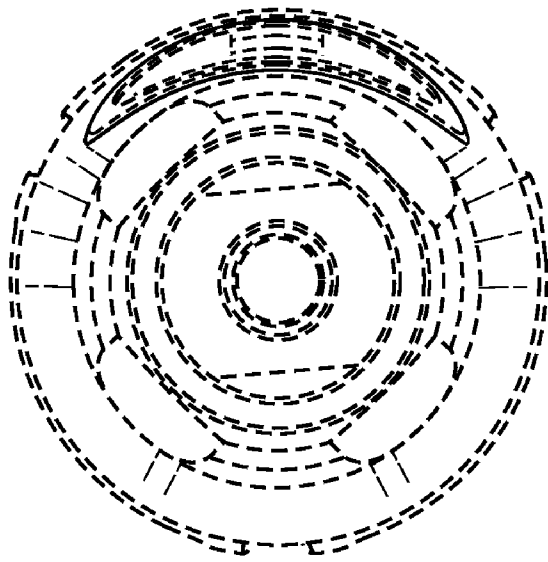


FIG. 7

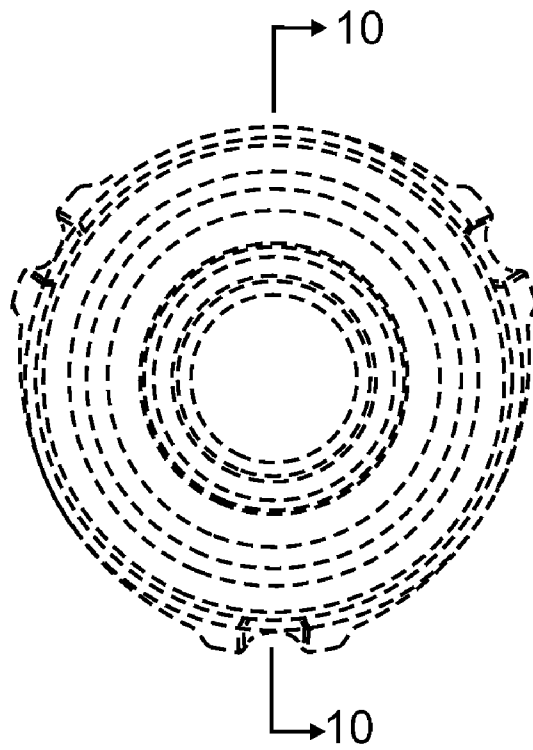


FIG. 8



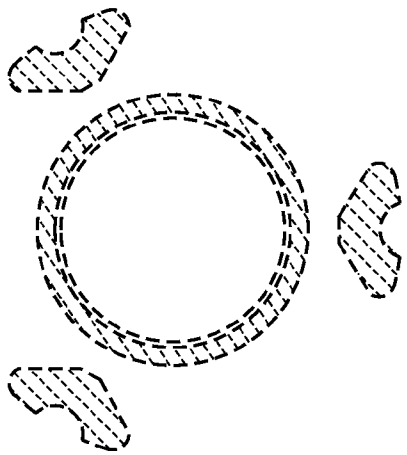


FIG. 9

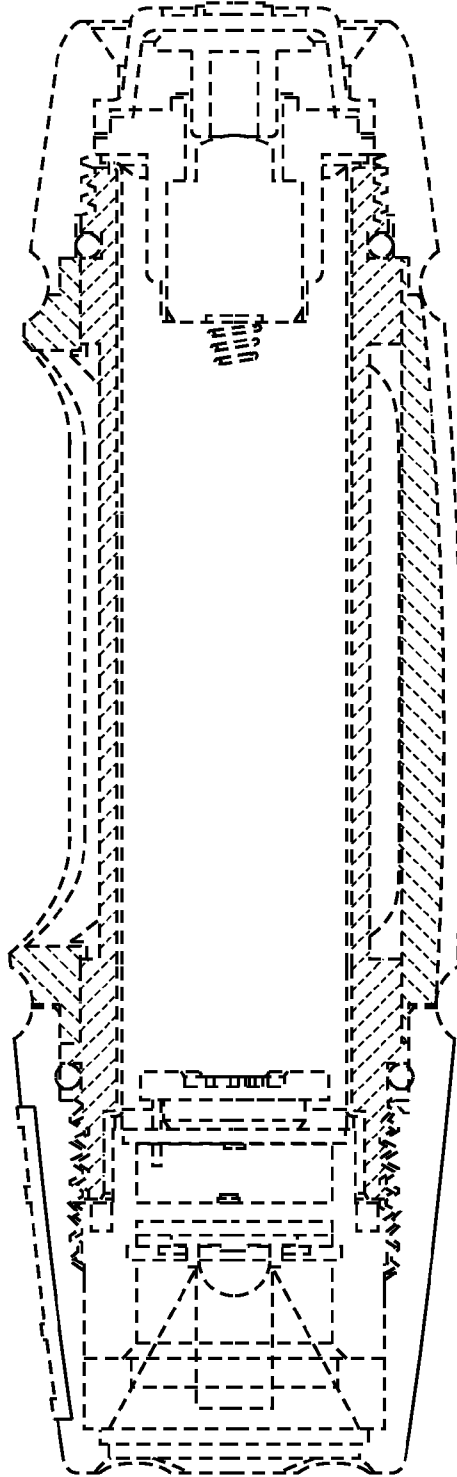


FIG. 10